

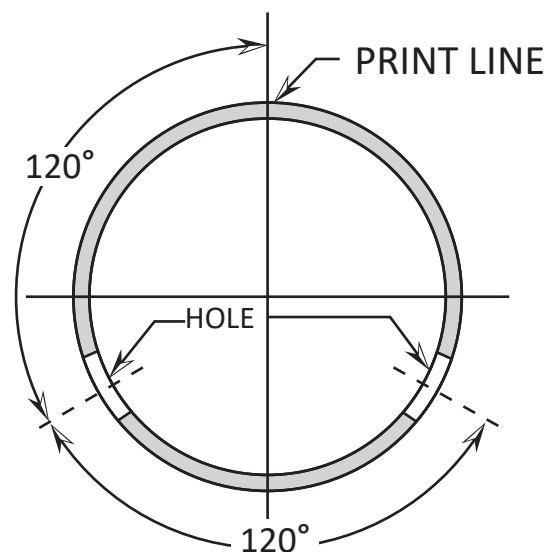
PVC DR 35 Solvent Weld Sewer Pipe - West

Conforms to ASTM D 3034

- Available in solid-wall or with perforations
- Perforated sewer pipe meets the requirements of ASTM D 3034 prior to perforation
- Product manufactured with one integral solvent-weld bell per length
- Standard overall pipe length is 20 feet or 10 feet
- Standard color is white

Trade Size	Part Number		Length (ft)	Dimensions (in)		Minimum Wall Thickness (in)	Approximate Weight per 100' (lbs)	Crate Quantity (ft)
	Solid	Perforated		Avg OD	Approx ID			
4	3040010	3040010F	10	4.215	3.96	0.120	104	630
4	3040020	3040020F	20	4.215	3.96	0.120	104	1,260
6	3060010	3060010F	10	6.275	5.89	0.180	236	260
6	3060020	3060020F	20	6.275	5.89	0.180	236	520

LOCATION OF PRINT LINE AND PERFORATIONS



Perforation Specifications: Two rows of 1/2" diameter holes with holes, 5 inches on center.