

### SCOPE

Covers ASTM A135/A795 fire protection pipe with nominal wall thickness as shown. Pipe is intended for new construction and retro fit fire sprinkler systems. Pipe is suitable for roll grooving and welding. Fayette's sprinkler pipe is available in beveled or grooved ends and has a rated working pressure of 300PSI. Produced to the latest version of ASTM A135/A795. All products are UL listed and FM approved.

### PRODUCT MARKING

Each length of pipe is continuously stenciled to show the manufacturer, type, length and size.

Each bundle of pipe will have a tag securely attached showing quantity, run #, and dimensions.

### DIMENSIONS & WEIGHT

NPS	OD/in.	ID/in.	Nom. Wall Thickness	Empty Wt. (lbs./ft.)	Water Filled Wt. (lbs./ft.)	C.R.R.*	Pieces per Bundle
<b>1</b>	1.315	1.097	.109	1.410	1.800	15.27	91
<b>1-1/4</b>	1.660	1.442	.109	1.810	2.518	9.91	61
<b>1-1/2</b>	1.900	1.682	.109	2.090	3.053	7.76	61
<b>2</b>	2.375	2.157	.109	2.640	4.223	6.27	37
<b>2-1/2</b>	2.875	2.635	.120	3.530	5.893	4.92	30

\*Calculated using Standard UL CCR formula, UL Fire Protection Directory, Category VIZY

### PRODUCT ASSURANCE

Fayette Pipe Hydro Tests each and every piece of pipe that is produced. We do this to add assurance to the customer that our pipe can be trusted every time it is installed.

- FM Approved
- UL Listed
- Complies with NFPA 13 and 14
- Made from 100% Made and Melted Steel
- NDT Eddy Current Tested
- Hydro Tested

### **MIC DEFENSE** ANTIMICROBIAL COATING

Fayette Pipe applies our Mic Defense coating to all pipe that we manufacture. This coating serves as a protective barrier limiting the opportunity for corrosion from microbiological organisms. The lasting benefits from this coating can be ensured through additional and routine treatment options.

**Fayette Pipe**  
 2282 University Drive  
 Lemont Furnace, PA 15456  
 724.438.7600  
 sales@fayettepipe.com  
 www.fayettepipe.com



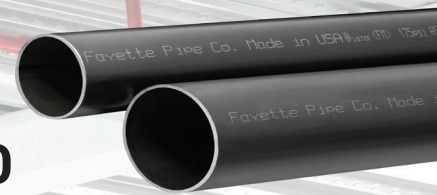
VETERAN OWNED



MADE IN THE U.S.A.

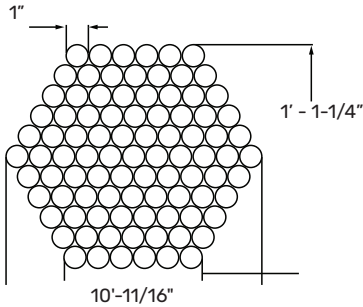


FAMILY OPERATED



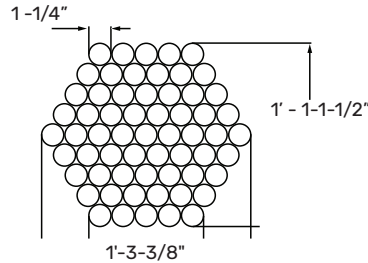
### 1" PIPE 91 PIECES

2695 LBS 2.27 LB/FT  
6,7,8,9,10,11,10,9,8,7,6



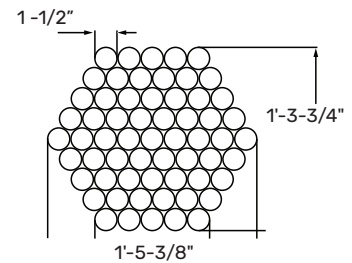
### 1-1/4" PIPE 61 PIECES

2319 LBS 2.27 LB/FT  
5,6,7,8,9,8,7,6,5



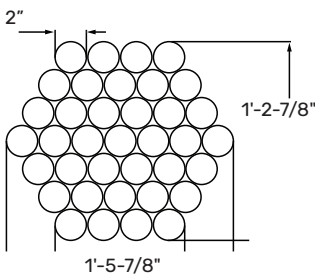
### 1-1/2" PIPE 61 PIECES

2677 LBS 2.72 LB/FT  
5,6,7,8,9,8,7,6,5



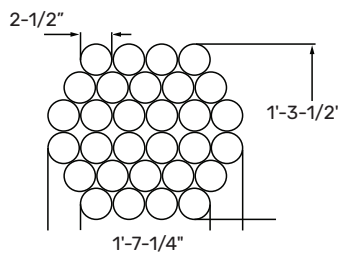
### 2" PIPE 37 PIECES

2051 LBS 3.65 LB/FT  
4,5,6,7,6,5,4



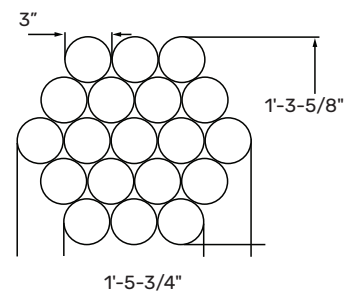
### 2-1/2" PIPE 30 PIECES

2224 LBS 5.79 LB/FT  
4,5,6,6,5,4



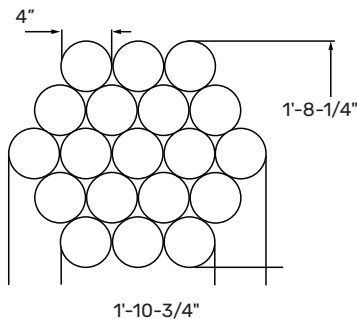
### 3" PIPE 19 PIECES

1732 LBS 7.58 LB/FT  
3,4,5,4,3



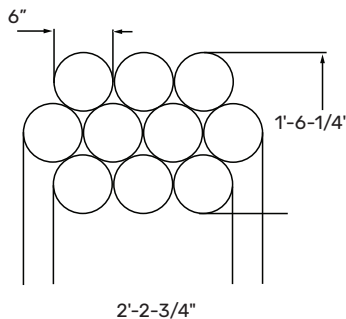
### 4" PIPE 19 PIECES

2242 LBS 7.58 LB/FT  
3,4,5,4,3



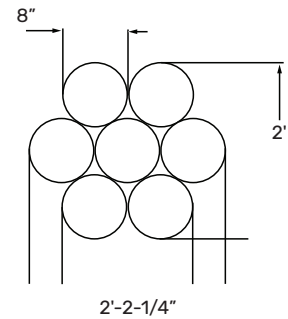
### 6" PIPE 10 PIECES

1953 LBS 7.58 LB/FT  
3,4,3



### 8" PIPE 7 PIECES

2493 LBS 7.58 LB/FT  
2,3,2



**Fayette Pipe**  
2282 University Drive  
Lemont Furnace, PA 15456  
724.438.7600  
sales@fayettepipe.com  
www.fayettepipe.com



VETERAN  
OWNED



MADE IN  
THE U.S.A.



FAMILY  
OPERATED