

### SCOPE

Covers ASTM A795/A135 fire protection pipe with nominal wall thickness as shown. Pipe is intended for new construction and retrofit fire sprinkler systems. Pipe is suitable for roll grooving and welding. Fayette's sprinkler pipe is available in beveled or grooved ends and has a rated working pressure of 300PSI. Produced to the latest version of ASTM A795/A135. All products are UL-listed and FM-approved.

### PRODUCT MARKING

Each length of pipe is continuously stenciled to show the manufacturer, type, length and size.

Each bundle of pipe will have a tag securely attached showing quantity, run #, and dimensions.

### DIMENSIONS & WEIGHT

NPS	OD/in.	ID/in.	Nom. Wall Thickness	Empty Wt. (lbs./ft.)	Water Filled Wt. (lbs./ft.)	C.R.R.*	Pieces per Bundle
<b>1</b>	1.315	1.097	.109	1.410	1.800	15.27	91
<b>1-1/4</b>	1.660	1.442	.109	1.810	2.518	9.91	61
<b>1-1/2</b>	1.900	1.682	.109	2.090	3.053	7.76	61
<b>2</b>	2.375	2.157	.109	2.640	4.223	6.27	37
<b>2-1/2</b>	2.875	2.635	.120	3.530	5.893	4.92	30

\*Calculated using Standard UL CCR formula, UL Fire Protection Directory, Category VIZY

### PRODUCT ASSURANCE

Fayette Pipe hydrotests each and every piece of pipe that is produced. We do this to add assurance to the customer that our pipe can be trusted every time it is installed.

- FM-Approved
- UL-Listed
- Complies with NFPA 13 and 14
- 100% American-Made & Melted Steel
- NDT Eddy-Current Tested
- Hydrotested



America's first LED UV-curing pipe-coating technology is engineered to meet rigorous demands, delivering unmatched performance and aesthetic appeal.



Protects pipe interiors from MIC and oxygen corrosion, ensuring lasting benefits through additional, routine treatment options.

**Fayette Pipe**  
2282 University Drive  
Lemont Furnace, PA 15456  
724.438.7600  
sales@fayettepipe.com  
www.fayettepipe.com



VETERAN FOUNDED



FAMILY OPERATED

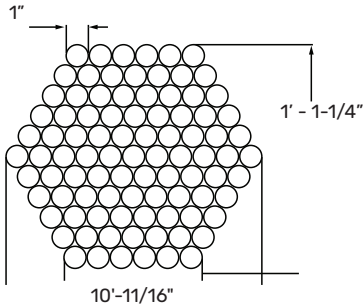


MADE IN THE USA



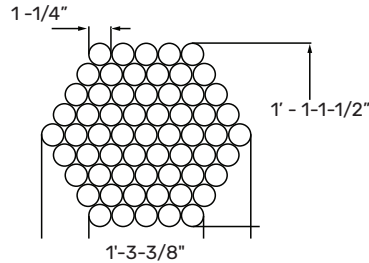
### 1" PIPE 91 PIECES

2695 LBS 2.27 LB/FT  
6,7,8,9,10,11,10,9,8,7,6



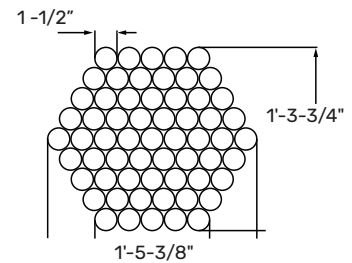
### 1-1/4" PIPE 61 PIECES

2319 LBS 2.27 LB/FT  
5,6,7,8,9,8,7,6,5



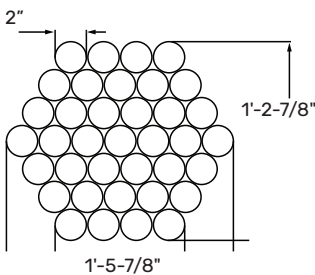
### 1-1/2" PIPE 61 PIECES

2677 LBS 2.72 LB/FT  
5,6,7,8,9,8,7,6,5



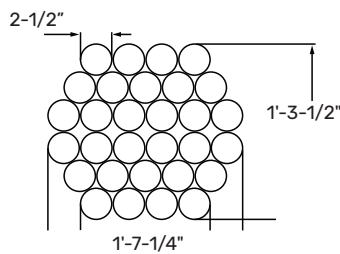
### 2" PIPE 37 PIECES

2051 LBS 3.65 LB/FT  
4,5,6,7,6,5,4



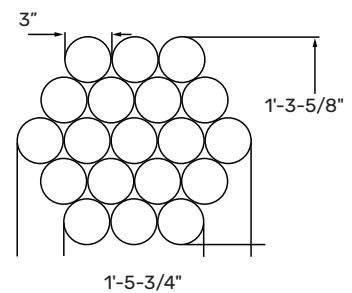
### 2-1/2" PIPE 30 PIECES

2224 LBS 5.79 LB/FT  
4,5,6,6,5,4



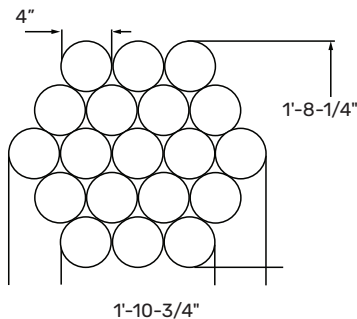
### 3" PIPE 19 PIECES

1732 LBS 7.58 LB/FT  
3,4,5,4,3



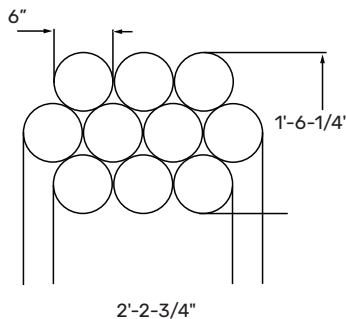
### 4" PIPE 19 PIECES

2242 LBS 7.58 LB/FT  
3,4,5,4,3



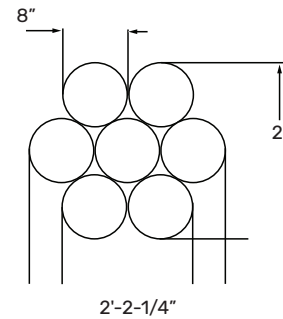
### 6" PIPE 10 PIECES

1953 LBS 7.58 LB/FT  
3,4,3



### 8" PIPE 7 PIECES

2493 LBS 7.58 LB/FT  
2,3,2



**Fayette Pipe**  
2282 University Drive  
Lemont Furnace, PA 15456  
724.438.7600  
sales@fayettepipe.com  
www.fayettepipe.com



VETERAN  
FOUNDED



FAMILY  
OPERATED



MADE IN  
THE USA